



OPERATION

This is a direct-acting, 2-position, 3-way, poppet-type Metric NCS 06-size solenoid valve. When de-energized, the valve checks flow from port 3, while allowing free flow between port 1 and 2. When energized, the valve poppet checks flow from port 1, while allowing free flow between port 2 and 3. This valve comes standard with a push-pin type manual override.

APPLICATIONS

This valve is designed for hydraulic circuits requiring very low leakage and can be used for load holding and blocking applications.



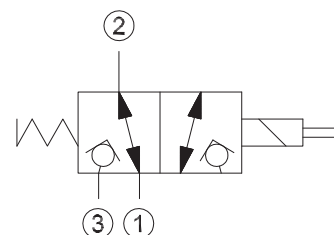
Shown with Standard Coil,
Deutsch Connector

SPECIFICATIONS

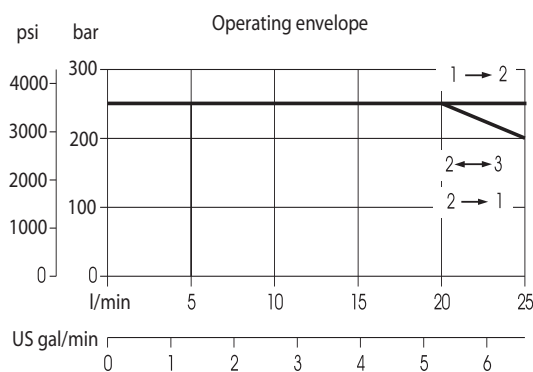
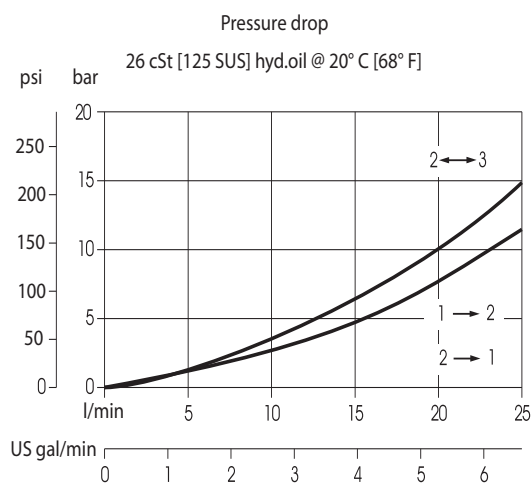
Rated pressure*	230 bar [3300 psi]
Rated flow at 7 bar [100 psi]	20 l/min [5 US gal/min]
Weight	0.44 kg [0.97 lb]
Cavity	NCS06/3
Standard Coil	M16 26 Watt
Robust Coil	R16 20 Watt Robust Nut P/N 173804910 (no coil O-rings needed)

* Rated Pressure based on NFPA fatigue test standards (at 1 Million Cycles).

SCHEMATIC



PERFORMANCE CURVES

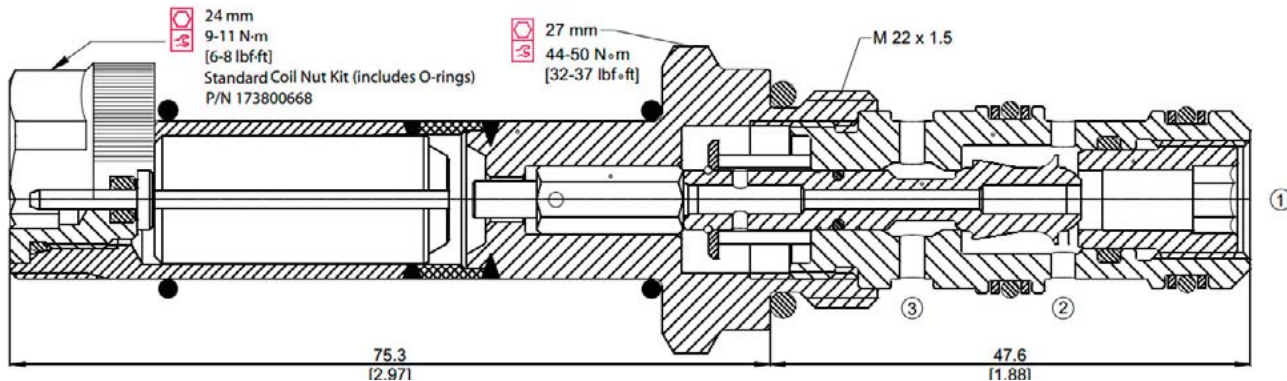




DIMENSIONS

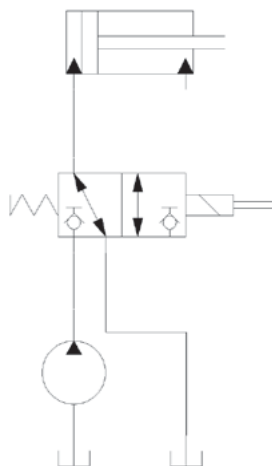
mm [in]

Cross-sectional view



EXAMPLE CIRCUITS

Single Acting Cylinder



SV - Solenoid Valves
EVH 06/D5

ORDERING INFORMATION

EVH 06/D5 - 12D - DE - PB - 00 - B

Solenoid Valve, Poppet Type,
Metric NCS 06-size Cavity,
2 Position, 3 Way

Coil Voltage	Standard Coil Code	Robust Coil Code
No Coil, with nut*	00	R00
10 VDC	10D	R10D
12 VDC	12D	R12D
20 VDC	20D	R20D
24 VDC	24D	R24D
110 VAC**	110A	-
220 VAC**	220A	-

* Standard coil – plastic nut and O-rings;
R-coil – steel nut P/N 173804910
(no coil O-rings needed)
** DIN only - external rectifier needed

Coil Termination	Standard Coil Code	IP Rating	Robust Coil Code	IP Rating
No Coil	00	-	00	-
Amp Junior	AJ	IP67	-	-
Amp Junior with Diode	AJD	IP67	-	-
AMP SuperSeal 1.5	AS	IP67	AS	IP69K
AMP SuperSeal with Diode	ASD	IP67	ASDB	IP69K
Deutsch	DE	IP67	DE	IP69K
Deutsch with Diode	DED	IP67	DEDB	IP69K
Flying Leads	FL	IP65	FL	IP69K
Flying Leads with Diode	FLD	IP65	FLDB	IP69K
DIN 43650	DN	IP65	-	-
Metri-Pack 150 Type 2	-	-	M3	IP69K
Metri-Pack 150 with Diode	-	-	M3DB	IP69K

Seal Code	Material	Seal Kits
B	Buna-N	230000590
V	Viton	230000430

Code	Body and Ports	Body Nomenclature
00	Cartridge Only	No Body
SE6S	#6 SAE, AL	NCS06/3-SE-6S
SE8S	#8 SAE, AL	NCS06/3-SE-8S
SE3/8	3/8 BSP, AL	NCS06/3-SE-3/8
SE1/2	1/2 BSP, AL	NCS06/3-SE-1/2

Code	Manual Override
Omit	Push Pin (Standard)
PB	Push Button
SPS	Screw Style (Push-Type Valve)
OPS	Push Pin Nut for Protection & Actuation
PAT	Push and Twist